

## Crane Systems & Rigid Lifting Guides

To go with the vacuum and tube lifters FEZER offers you as well suitable crane systems and guarantees a perfectly adjusted complete system from one source only.

For loads up to 500 kg we offer our own aluminum tracks, a fully developed and extremely smooth system which can be adapted to almost any space conditions.

Aluminum Track System .....	81/82
Wall Slewing Jibs .....	83/84
Column Slewing Jibs .....	85/86
Suspension Crane System .....	87/90
Liffix - Rigid Guiding System .....	91/94

### Complete Systems based on Modular Design

The extruded aluminum profiles convince by their robust design and low own weight. They move very smoothly which improves the handling. The large range of accessories covers almost any requirement and guarantees a high operational safety while keeping the investment costs in check.

- Aluminum tracks in 3 sizes with lengths up to 12 m
- Robust and smooth trolleys with lateral guiding castors
- Cable and hose trolleys in robust and smooth plastic design
- Standard suspensions for ceilings, T-beams or beam connections
- Robust steel consoles for wall and column connections
- Angle constraint for wall and column slewing jibs
- End arrests with rubber buffers
- Stable steel mounting elements to extend at will
- Conductor lines for integrated electrical supply
- Mobile base plates for column slewing jibs to install at any place
- Telescopic column slewing jibs for height adjustments
- Friction drive for electrical axis movements at the push of a button



Aluminum tracks in 3 sizes



Trolleys in stable steel design and with lateral guiding castors



Cable and hose trolleys for power and vacuum supply



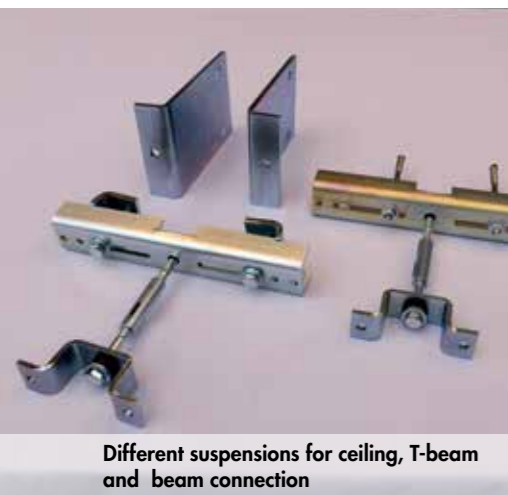
Robust and smooth steel console for wall and column slewing jibs



Angle constraint with rubber buffers for wall and column slewing jibs



Diagonal ties with male/female threads for adjustment of horizontal position



Different suspensions for ceiling, T-beam and beam connection



Stable steel connection elements to extend the aluminum tracks at will



Electrical friction drive



Steel base plate for mobile column slewing jibs



Telescopic column slewing jib with safety pin to fix the set height



Electrical conductor line as power supply

## Crane Systems & Rigid Guiding Systems

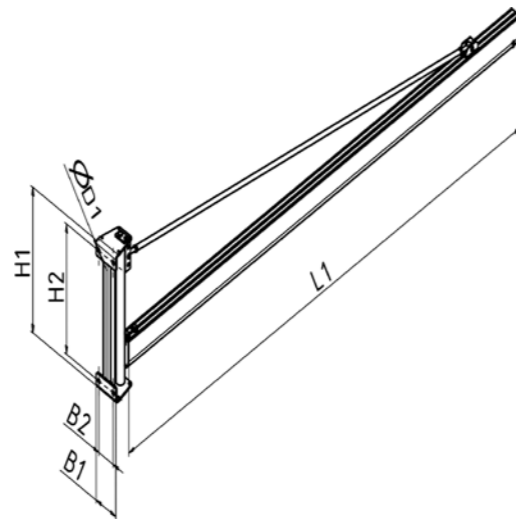
### Wall Slewing Jibs

#### for Loads up to 1.000 kg and Jib Lengths up to 6 m

For loads up to 500 kg extremely smooth aluminum profiles are available. The robust steel consoles with bush bearings and the special transport trolleys with large-dimensioned castors move loads effortlessly and rationalize the work processes.

For higher loads stable steel tracks are being used which offer a high measure of stress with low bending.

- Smooth aluminum profile up to 500 kg
- Highest operational safety by perfectly attuned parts
- Stable and robust consoles with bush or ball bearings
- For higher loads electrical drives are available



Capacity (kg)	Type	Swivel range (°)	Jib length (mm)	Console height (mm)	Crab drive	Swivel drive	Own weight (kg)
50	WSK-	180	2.000 ... 6.000	590 ... 680	manual	manual	60 ... 120
75	WSK-	180	2.000 ... 6.000	590 ... 680	manual	manual	60 ... 120
100	WSK-	180	2.000 ... 6.000	590 ... 680	manual	manual	80 ... 160
125	WSK-	180	2.000 ... 6.000	590 ... 680	manual	manuell	80 ... 160
250	WSK-	180	2.000 ... 6.000	630 ... 820	manual/electr.	manual/electr.	220 ... 620
500	WSK-	180	2.000 ... 6.000	630 ... 820	manual/electr.	manual/electr.	220 ... 620
1.000	WSK-	180	2.000 ... 6.000	780 ... 980	manual/electr.	manual/electr.	530 ... 980

### Wall Slewing Jibs in Action

- 1 Wall slewing jib with tube lifter VacuPowerlift
- 2 Slewing jib with ceiling suspension and aluminum jib
- 3 Wall slewing jib with 6 m of jib length and a carrying capacity of 250 kg
- 4 Wall slewing jib with 4 m of jib length and a carrying capacity of 500 kg

## Crane Systems & Rigid Guiding Systems

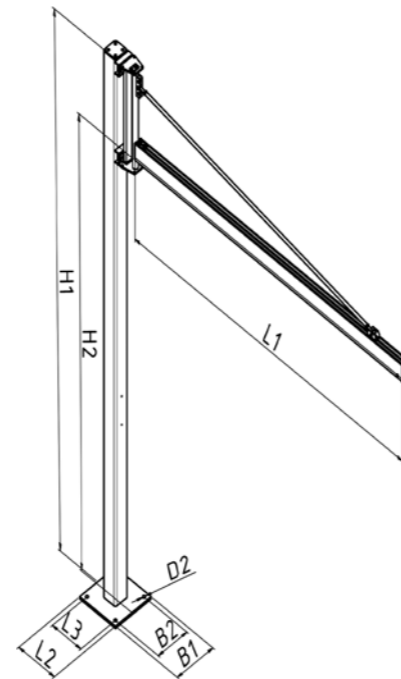
### Column Slewing Jibs

#### for Loads up to 1.000 kg and Jib Lengths up to 6 m

For loads up to 500 kg extremely smooth aluminum profiles are available. The robust steel consoles with bush bearings and the special transport trolleys with large-dimensioned castors move loads effortlessly and rationalize the work processes.

For higher loads stable steel tracks are being used which offer a high measure of stress with low bending.

- Smooth aluminum profile up to 500 kg
- Highest operational safety by perfectly attuned parts
- Stable and robust consoles with bush or ball bearings
- For higher loads electrical drives are available
- Direct connection to the floor without intermediate plate
- Mobile base plate for free installation and positioning with a forklift truck
- Design with telescopic and arrestable column



Capacity (kg)	Type	Swivel range (°)	Jib length (mm)	Total height (mm)	Crab drive	Swivel drive	Own weight (kg)
50	SSK-	270	2.000 ... 6.000	3.650 ... 3.720	manual	manual	200 ... 300
75	SSK-	270	2.000 ... 6.000	3.650 ... 3.720	manual	manual	200 ... 400
100	SSK-	270	2.000 ... 6.000	3.650 ... 3.720	manual	manual	260 ... 800
125	SSK-	270	2.000 ... 6.000	3.650 ... 3.720	manual	manual	260 ... 1.100
250	SSK-	270	2.000 ... 6.000	3.650 ... 3.760	manual/electr.	manual/electr.	400 ... 1.350
500	SSK-	270	2.000 ... 6.000	3.650 ... 3.810	manual/electr.	manual/electr.	420 ... 1.600
1.000	SSK-	270	2.000 ... 6.000	3.560 ... 3.910	manual/electr.	manual/electr.	420 ... 2.250

### Column Slewing Jibs SSK in Action

- 1 Column slewing jib with chain hoist and VacuBoy for loading a laser cutting machine
- 2 Column slewing jib with chain hoist for 500 kg and 3m jib length
- 3 Column slewing jib with aluminum profile for tube lifter VacuPowerlift
- 4 Column slewing jib with mobile base plate for positioning with forklift truck

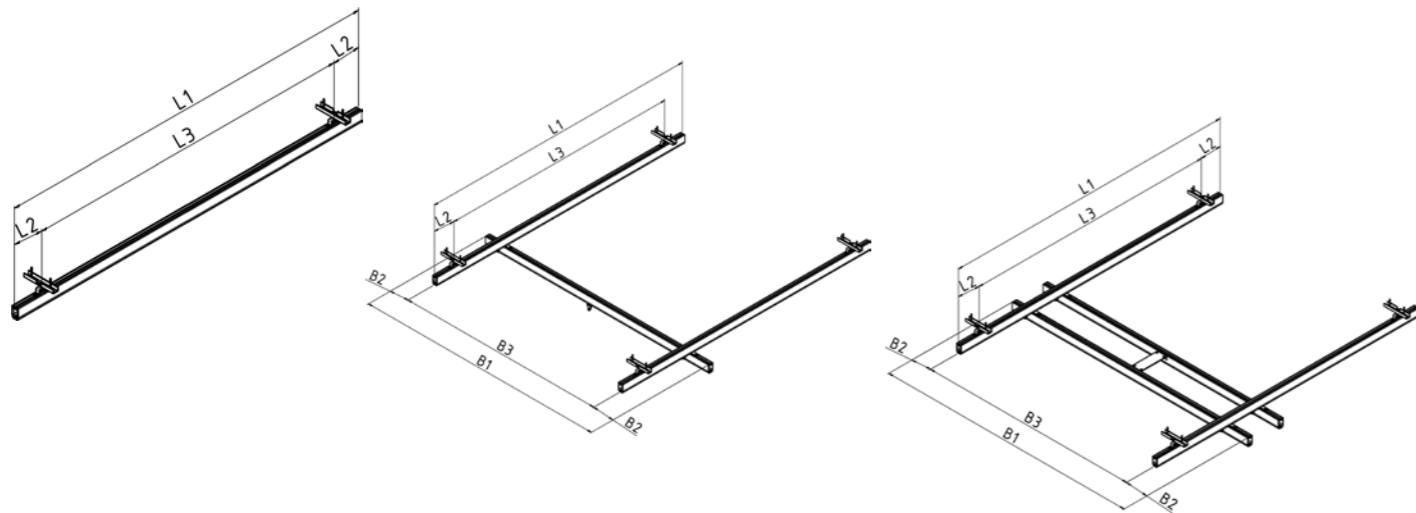
## Crane Systems & Rigid Guiding Systems

### Suspension Track Systems

#### for covering Areas of up to 50 x 12 m

in single track, single bridge or double bridge design. By perfectly attuned components the crane systems can be adjusted to your individual requirements. Whether ceiling, I-beam or timber beams - for all requirements the corresponding suspensions are available and guarantee a safe and ideal connection.

- Smooth and robust aluminum profiles up to 12m long
- Extensive accessories like arresters, transport trolleys, connection and fastening elements
- Friction drives for electrical movements as option
- Special solutions for individual requirements



Single track system	L3 =	1.000 mm (kg)	2.000 mm (kg)	3.000 mm (kg)	4.000 mm (kg)	5.000 mm (kg)	6.000 mm (kg)	8.000 mm (kg)	L1 (max) (mm)	L2 (max) (mm)
AP 85		125	100	75	40	25	---	---	12.000	300
AP 125		250	250	250	140	90	65	---	12.000	350
AP 160		500	500	500	425	225	150	75	12.000	400
Single bridge system	L3, B3 =	1.000 mm (kg)	2.000 mm (kg)	3.000 mm (kg)	4.000 mm (kg)	5.000 mm (kg)	6.000 mm (kg)	8.000 mm (kg)	L1,B1 (max) (mm)	L2,B2 (max) (mm)
AP 85		125	100	75	40	25	---	---	12.000	300
AP 125		250	250	250	140	90	65	---	12.000	350
AP 160		500	500	500	425	225	150	75	12.000	400
Double bridge system	L3, B3 =	1.000 mm (kg)	2.000 mm (kg)	3.000 mm (kg)	4.000 mm (kg)	5.000 mm (kg)	6.000 mm (kg)	8.000 mm (kg)	L1,B1 (max) (mm)	L2,B2 (max) (mm)
AP 85		125	100	75	40	25	---	---	12.000	300
AP 125		250	250	250	250	180	130	40	12.000	350
AP 160		500	500	500	500	450	300	150	12.000	400



Single-bridge suspension with tube lifter VacuPowerlift



Two-bridge suspension crane system with electrical friction drive and a vacuum lifter VacuBoy



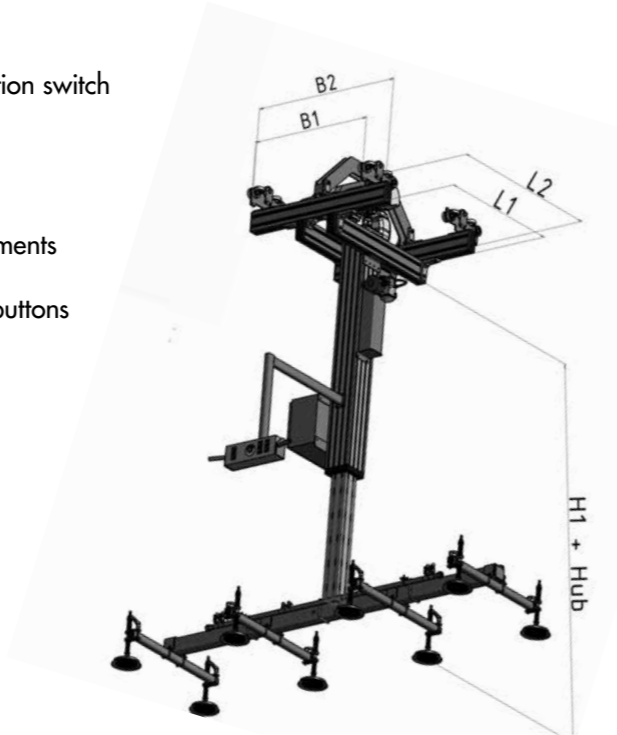
### Crane systems in Action

- 1 Suspension crane system with movable and rotatable jib for tube lifter VacuPowerlift
- 2 Suspension crane system in steel design with vacuum lifter VacuBoyVario
- 3 Two bridge crane system for tube lifter VacuPowerlift with mounted blower

### Rigid Guiding System for Loads of up to 500 kg

In combination with the smooth aluminum tracks FEZER offers a rigid guiding system which allows to pick and place loads accurately. Telescopic aluminum profiles with robust and precise sliding guides not only allow large strokes on low heights but also off-center load torques which permits to load overbuilt machines. The stroke is sensitively controlled by chain hoist with two speeds. A large number of options is available to realize almost any requirement.

- Telescopic Lifting System with Sliding Guides
- Drive by chain hoist with two speeds and adjustable final position switch
- Friction drives for electrical movement in X- and Y-direction
- Flangeable grippers with vacuum or mechanical clamping elements
- Ergonomical manipulating handles with all necessary control buttons



Capacity (kg)	Type	Stroke (m/min)	Max. momentum (Nm)	H1 (mm)	Hub (mm)	L1 (mm)	L2 (mm)	B1 (mm)	B2 (mm)	Own weight (kg)
125	LF-3	2 / 8	250	2.350	1.500	620	800	560	800	300
125	LF-3	2 / 8	125	2.350	2.000	620	800	560	800	325
125	LF-3	2 / 8	100	2.350	2.500	620	800	560	800	350
350	LF-2	2 / 8	750	2.350	1.000	620	800	560	800	250
350	LF-2	2 / 8	500	2.350	1.500	620	800	560	800	275
350	LF-2	2 / 8	250	2.350	2.000	620	800	560	800	300



Liffix with mechanical gripper for handling seat frames for automobile industry



Liffix with rotating assembly for handling copper sheets



1



2



3

### Liffix LF in Action

- 1 Liffix with turnable suction frame for feeding a welding robot with solar elements
- 2 Liffix for taking out sheets from a high rack warehouse, with rotating assembly and video camera
- 3 Loading a laser cutting machine with steel sheets from horizontal plate storage